

# Ventus 910 VL

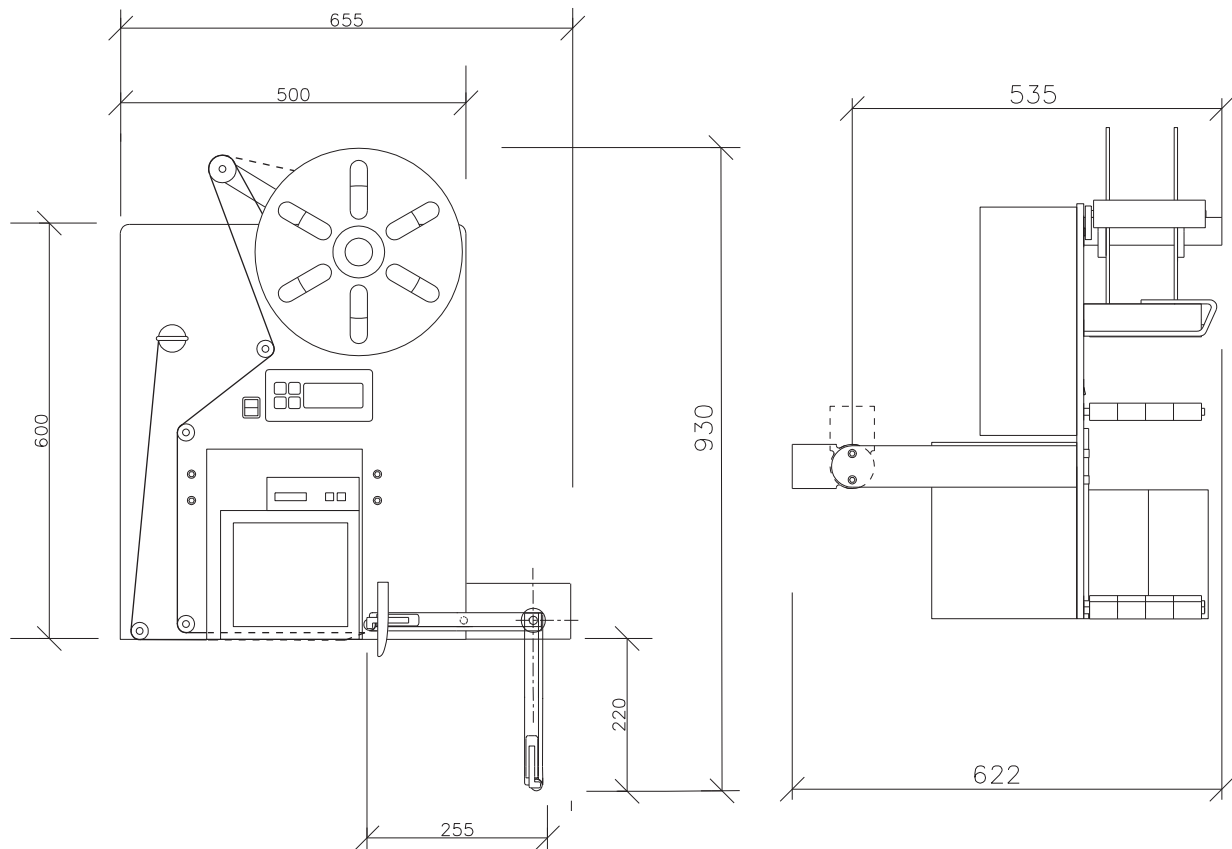
## Ventus makes marking easy

Ventus Print & Apply System is designed and developed by Meckelborg Oy in Finland. Due to the capability of real time labelling the information as well as the product can easily be changed. Different attachment alternatives enable Ventus to label any product regardless of the industry your company is operating. It's modular structure gives an opportunity to customize your company a unique labelling solution with minimal costs. In addition, its small and compact size makes it easy to install the system in different applications. Ventus fully combines the cost-effective price with reliability, endurance, flexibility and user-friendliness. Ventus even speaks your own language as well as standard english.

- Versatile:  
Applies label to front, back, side, top and angle faces of the product
- Compact construction
- Easy to adapt
- Reliable
- User-friendly
- 15 memory locations for product settings
- Settings can be easily modified
- Label printer can be chosen to meet your marking needs
- Metal frame

ventus®





## Ventus 910 VL

Ventus 910 VL applies the last-printed label to the moving product with a turning application head. It follows the surface of the product, which ensures that the label is carefully and thoroughly attached to the product. The structure of the application head is designed in such way that the same head can be used to apply various-sized labels without any additional adjustments. Ventus 910 VL is the solution when versatility is needed. For example under such operational processes where package sizes may vary and the target area of label is not default.

### Technical specifications

Label size:	Speed:
Width 25 - 150 mm	Max. 25 labels / minute
Length 40 - 250 mm	(Label size 35 x 40 mm)

Compressed air: ~ 6 bar

Dimensions:

H 700mm, W 500mm, D 350mm  
(without printer)

Weight:

Frame 29kg, Printer 12kg

Operating voltage:

230VAC, int. power source 24VDC

Main fuse:

6,3AT / 250V (5 x 20mm)

Fuses CPU:

F1, 630 mA (5V)

F2, 2 A (24V optos)

F3, 6.3 A (24V transistors)

Operating temperature:

+5°C - +35°C