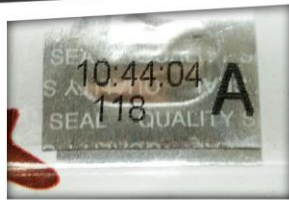


RNJet



www.rnmark.com





Introducing the RNJet, small character inkjet printer that offers flexible and economical options. The RNJet is your best alternative to CIJ or Valve-Jet Printers. Since RNJet uses a Piezo high resolution technology, it does not require costly parts (i.e. pump, valves, diaphragm, air supply, etc.)

Specifications

- ▶ Dual heads controller
- ▶ Standard single head included ink system
- ▶ font size from 8 to 128 pixels
- ▶ Printing height: 18 mm (1 to 8 lines)
Print all true type fonts
- ▶ Up to 100m/min for large fonts
(72m/min for Barcode and 2mm Fonts)
- ▶ Printing logo, barcode, shift code, counter, time and date
- ▶ Incremental and decremental numbering
- ▶ Multi language
- ▶ Print cost calculator system
- ▶ Orientation horizontal and vertical printing
- ▶ USB connectivity
- ▶ Lead free and RoHS compliance electric boards
- ▶ Weight: 2.5 Kg

Options

- ▶ Twin heads (Stitched/two heads)
- ▶ Two spot color printer (e.g Black & Red)

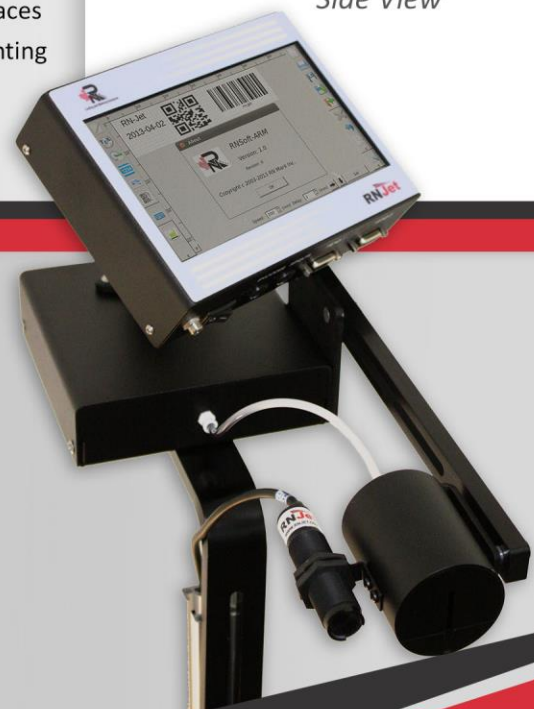
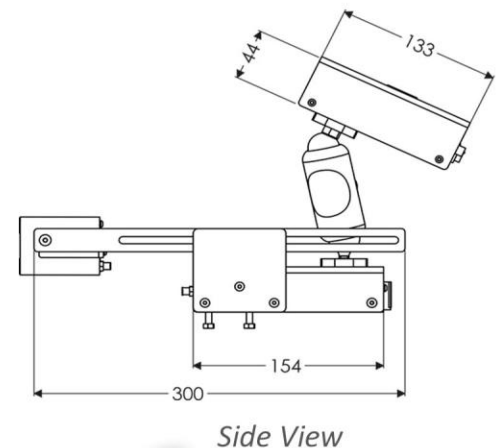
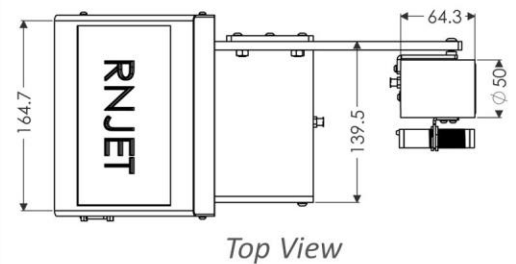
External Power Supply

- ▶ External power supply
 - ▶ Single phase 100-240v 50/60 Hz 1.0A
 - ▶ Output 12V 40W max
 - ▶ Operating temperature of 5-45°C
 - ▶ Secure Electrical failure mode
 - ▶ Power supply approved by GS,CE, & UL
- ## Data Input
- ▶ Photocell
 - ▶ Encoder
 - ▶ External Devices (RS232)
 - ▶ Barcode Scanner, Weighter Machine, etc.

Ink

- ▶ 110 ml sealed ink cartridge
- ▶ Oil based for porous printing surfaces
- ▶ Solvent based for non-porous printing surfaces (CFIA Approval)
- ▶ Food grade (USDA Approval)

Dimensions (mm)



www.rnjet.com



Martek Industries Ltd

12B Ridings Park Ind Est
Eastern Way, Cannock
WS11 7FJ

Tel: 01543 502202
sales@martekonline.co.uk
www.martekonline.co.uk



RN Mark Inc. is a global distributor and manufacturer of marking and coding solutions. We welcome distributors as we are growing fast and our footprints across the industry is becoming more visible.